

TA 46

TAP 50

SAP 50 series

**Metal oil filler
and air breather filler cap**

**Nylon oil filler
and breather plug**

**Nylon air
breather filter**



TA 46 GENERAL INFORMATION

Technical data

Air breathers & Filler plugs

Metal oil filler and air breather filler cap

Flow rate up to 200 l/min

TA46 is a range of compact metal air breathers and filler caps for protection of the tank against the solid contamination contained into the air and filling of the fluid into the systems during the commissioning and maintenance procedures. They are usually directly fitted on the tank. The robust design allows the use of these filters in any heavy-duty application.

Available features:

- Male threaded connections up to 1/4" and flanged connection with bayonet, for a maximum flow rate of 200 l/min
- Fine cellulose filtration, to get a good cleanliness level into the reservoir
- Filling basket, to hold the coarse contamination contained into the fluid and to diffuse the fluid flow into the tank

Common applications:

- Compact hydraulic systems
- Compact mobile machines
- Industrial equipment

Flow rate Δp 0.02 bar

TA46	Flow rate [l/min]	
	Filtration rating	03
	150	200

Materials (version G/N)

- Cover: Chrome plated steel
- Filter element: Resin impregnate paper, Polyurethane
- Flange: Galvanized steel
- Connection: Phosphatized steel

Materials (version B)

- Cover: Chrome plated steel
- Filter element: Resin impregnate paper, Polyurethane
- Flange: Galvanized steel
- Connection: Phosphatized steel
- Seals: NBR
- Chain, ring: Cork gasket
- Screws: Galvanized steel
- Basket: Brass

Temperature

From -25 °C to +100 °C

Weight

TA 46 B 0.10 kg
TA 46 G/N 0.11 kg



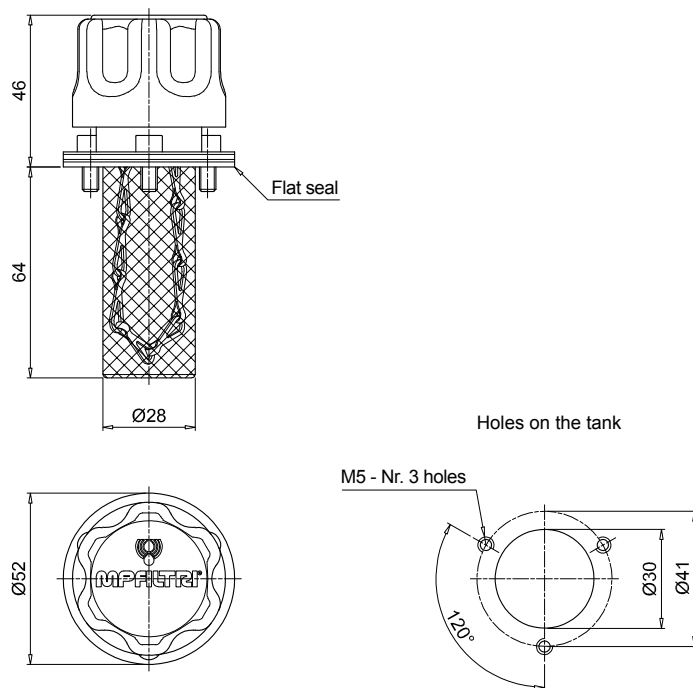
Designation & Ordering code

COMPLETE AIR BREATHER - TA46

Series and size	Configuration example 1:	TA46	B	03	A	0	0	1	P01
TA46	Configuration example 2:	TA46	G	10					P01
Connections to the tank									
B	Screwed flange with bayonet mount								
G	Thread G 1/4"								
N	Thread 1/4" NPT								
Filtration rating									
03	Resin impregnate paper	3 µm							
10	Polyuretane	10 µm							
Seals									
A	NBR	Connection:	B	G	N				
Valve									
0	Without valve	Connection:	B	G	N				
Version									
0	Standard	Connection:	B	G	N				
Basket									
1	With basket	Connection:	B	G	N				
Execution									
P01	MP Filtri standard								
Pxx	Customized								

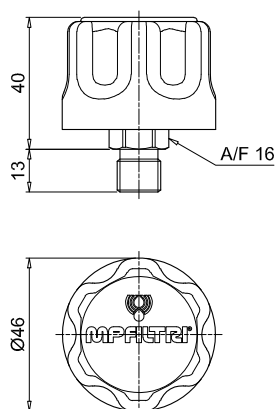
TA46

Screwed flange



TA46

Threaded connection

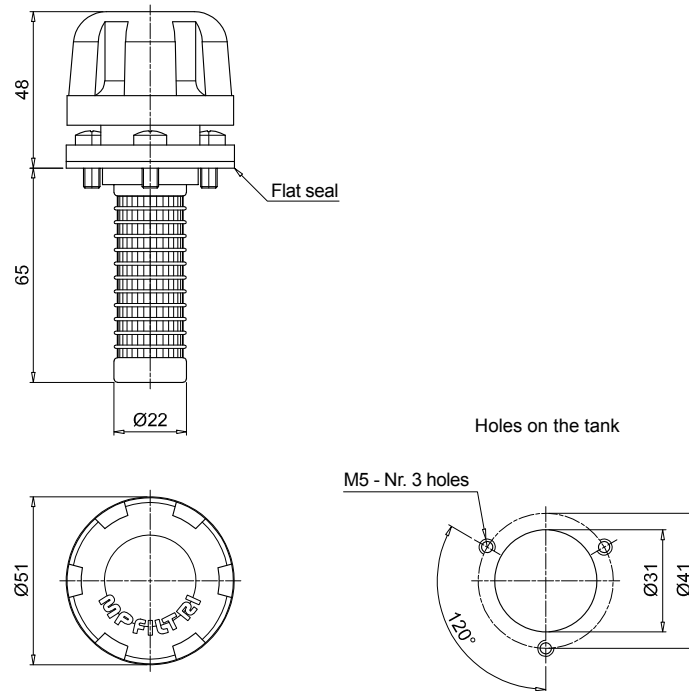


TAP 50

Dimensions

TAP50

Screwed flange



SAP 50 GENERAL INFORMATION

Technical data

Air breathers & Filler plugs

Nylon air breather filter

Flow rate up to 200 l/min

SAP50 is a range of compact plastic air breathers for protection of the tank against the solid contamination contained into the air.

The integrated air breather protects the tank against the solid contamination contained into the air. They are usually directly fitted on the tank.

Available features:

- Male threaded connections up to 3/4", for a maximum flow rate of 200 l/min.
- Fine cellulose filtration, to get a good cleanliness level into the reservoir.

Common applications:

- Compact hydraulic systems
- Compact mobile machines
- Industrial equipment

Flow rate Δp 0.02 bar

	Flow rate [l/min]	
	Filtration rating	03
SAP50	180	204

Materials

- Cover/Connection: Nylon
- Filter element: Resin impregnate paper, Polyurethane
- Pressurization valve: Nylon, Galvanized steel, NBR
- Seals: NBR

Temperature

From -25 °C to +100 °C

Weight

0.40 kg

Quantity

10 pcs/pack



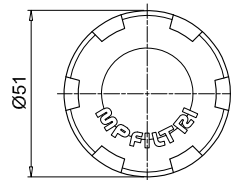
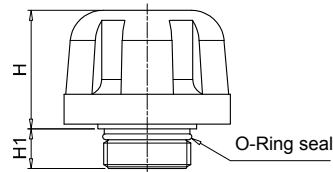
Designation & Ordering code

COMPLETE AIR BREATHER - SAP50

Series and size	Configuration example :						
SAP50 Nylon air filter	SAP50	G3	L03	A	1	0	P01
Connections to the tank							
G1 G 1/4"							
G2 G 3/8"							
G3 G 1/2"							
G4 G 3/4"							
G9 SAE 6 - 9/16" - 18 UNF							
G10 SAE 12 - 1 1/16" - 12 UN							
Filtration rating							
L03 Resin impregnate paper 3 µm							
L10 Polyuretane 10 µm							
Seals							
A NBR							
Valve	Connection						
	G1	G2	G3	G4	G9	G10	
0 Without valve	•	•	•	•	•	•	
1 0.5 bar pressurization valve		•	•	•		•	
Basket							
0 Without basket							
Execution							
P01 MP Filtri standard							
Pxx Customized							

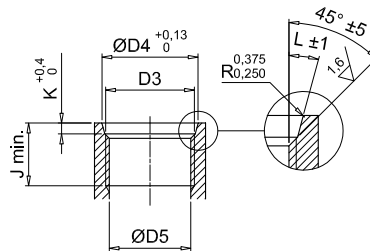
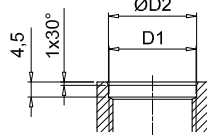
SAP50

Threaded connection



Housing on the tank for connections GAS

Housing on the tank for connections SAE



Connections	H [mm]	H1 [mm]	D1 [mm]	ØD2 [mm]	D3 [mm]	ØD4 [mm]	ØD5 [mm]	J min. [mm]	K [mm]	L
G1	36	12	G 1/4"	13.5	-	-	-	-	-	-
G2	36	12	G 3/8"	17	-	-	-	-	-	-
G3	36	12	G 1/2"	21.5	-	-	-	-	-	-
G4	36	12	G 3/4"	26.7	-	-	-	-	-	-
G9	36	12	-	-	SAE 6 - 9/16" - 18 UNF	15.6	13.081 12.751	12.7	2.5	12°
G10	35	14.5	-	-	SAE 12 - 1 1/16" - 12 UN	29.2	24.978 24.636	19	3.3	15°

TA 80 series

Metal oil filler and air breather filler cap



TA 80 GENERAL INFORMATION

Technical data

Air breathers & Filler plugs

Metal oil filler and air breather filler cap

Flow rate up to 550 l/min

TA80 is a range of metal air breathers and filler caps for protection of the tank against the solid contamination contained into the air and filling of the fluid into the systems during the commissioning and maintenance procedures.

They are usually directly fitted on the tank. The robust design allows the use of these filters in any heavy-duty application.

Available features:

- Male threaded connections up to 3/4" and flanged connection with bayonet, for a maximum flow rate of 550 l/min
- Fine cellulose filtration, to get a good cleanliness level into the reservoir
- Pressurization valve with different setting, to guarantee a positive pressure into the tank in any application with metal or plastic tanks
- Padlock tab, to secure the air breather to the tank
- Filling basket, to hold the coarse contamination contained into the fluid and to diffuse the fluid flow into the tank

Common applications:

- Hydraulic systems
- Mobile machines
- Industrial equipment

Flow rate Δp 0.02 bar

	Flow rate [l/min]	
	Filtration rating	03
TA80	450	550

Materials

- Cover: Chrome Plated steel
- Filter element: Resin impregnate paper, Polyurethane
- Pressurization valve:
 - Nylon (bodies), Galvanized steel (end cap - disk), Steel (spring), NBR (seals)
- Flange and anti-splash feature: Galvanized steel
- Seals: Cork Gasket, NBR
- Screws, Flange: Galvanized steel
- Chain, Ring: Brass
- Basket (only TA80B): Galvanized steel

Temperature

From -25 °C to +100 °C

Weight

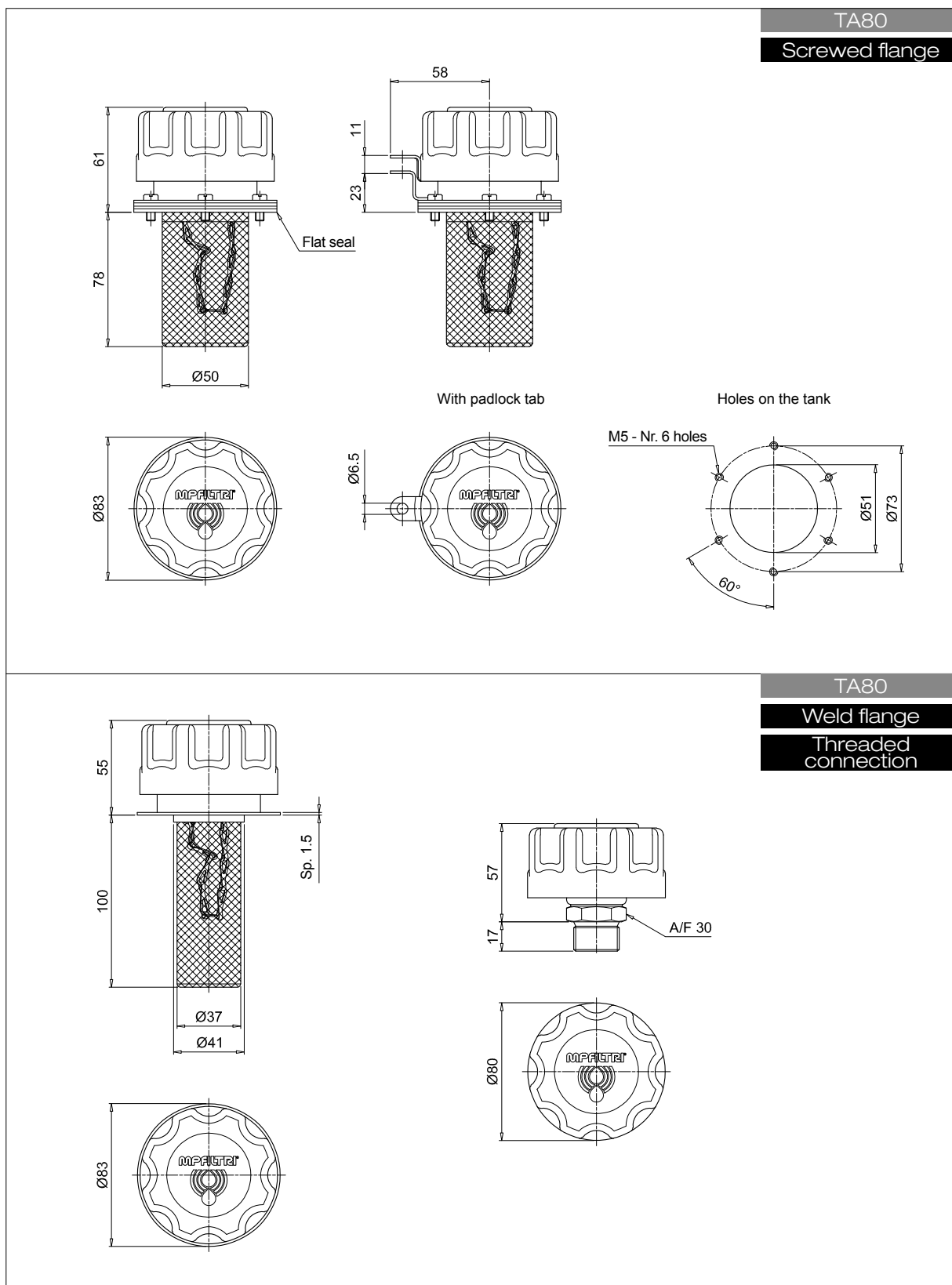
L 80 mm 0.33 kg
L 150 mm 0.35 kg



Designation & Ordering code

COMPLETE BREATHER PLUG - TA80

Series and size	Configuration example 1 :										Configuration example 2 :									
TA80	TA80	B	03	A	0	L	1	P01	TA80	G	10	A	2				P01			
Connections to the tank		B Screwed flange with bayonet mount		G Thread G 3/4"		D Weld flange with bayonet mount		N Thread 3/4" NPT												
Filtration rating	Connection:	B	D	G	N															
00 Without filter (blind filler plug)		•	•	•	•															
03 Resin impregnate paper 3 µm		•	•	•	•															
10 Polyurethane 10 µm		•	•	•	•															
Seals																				
A NBR																				
Valve	Filtration rating:	00	03	10																
0 Without valve		•	•	•																
1 0.3 bar pressurization valve		•	•	•																
2 0.7 bar pressurization valve		•	•	•																
9 With anti-splash feature		•																		
Version	Connection:	B	D	G	N															
0 Standard		•	•																	
L With padlock tab		•																		
Basket	Connection:	B	D	G	N															
0 Without basket		•	•																	
1 L = 80 mm		•																		
3 L = 100 mm		•																		
Execution																				
P01	MP Filtri standard																			
Pxx	Customized																			



TAP 90 series

Nylon oil filler and air breather filler cap



TAP 90 GENERAL INFORMATION

Technical data

Air breathers & Filler plugs

Nylon oil filler and air breather filler cap

Flow rate up to 550 l/min

TAP90 is a range of plastic air breathers and filler caps for protection of the tank against the solid contamination contained into the air and filling of the fluid into the systems during the commissioning and maintenance procedures.

They are usually directly fitted on the tank.

Available features:

- Male threaded connections up to 1 1/2" and flanged connection with bayonet, for a maximum flow rate of 550 l/min
- Fine cellulose filtration, to get a good cleanliness level into the reservoir
- Pressurization valve with different setting, to guarantee a positive pressure into the tank in any application with metal or plastic tanks
- Padlock tab, to secure the air breather to the tank
- Filling basket, to hold the coarse contamination contained into the fluid and to diffuse the fluid flow into the tank
- Dipstick, to monitor the fluid level into the tank even in complicated positions

Common applications:

- Hydraulic systems
- Mobile machines
- Industrial equipment

Flow rate Δp 0.02 bar

	Flow rate [l/min]	
	Filtration rating	03
TAP90	450	550

Materials

- Cover/Ringnut: Nylon
- Filter element: Resin impregnate paper, Polyurethane
- Pressurization valve: Nylon (bodies), Galvanized steel (end cap - disk), NBR (seals)
- Flange B: Nylon
- Seals: NBR
- Screws: Galvanized steel
- Padlock tab: Galvanized steel
- Chain, Ring: Brass
- Dipstick: Phosphatized steel
- Basket: Galvanized steel, Nylon

Temperature

From -25 °C to +100 °C

Weight

L 120 mm 0.25 kg
L 250 mm 0.31 kg



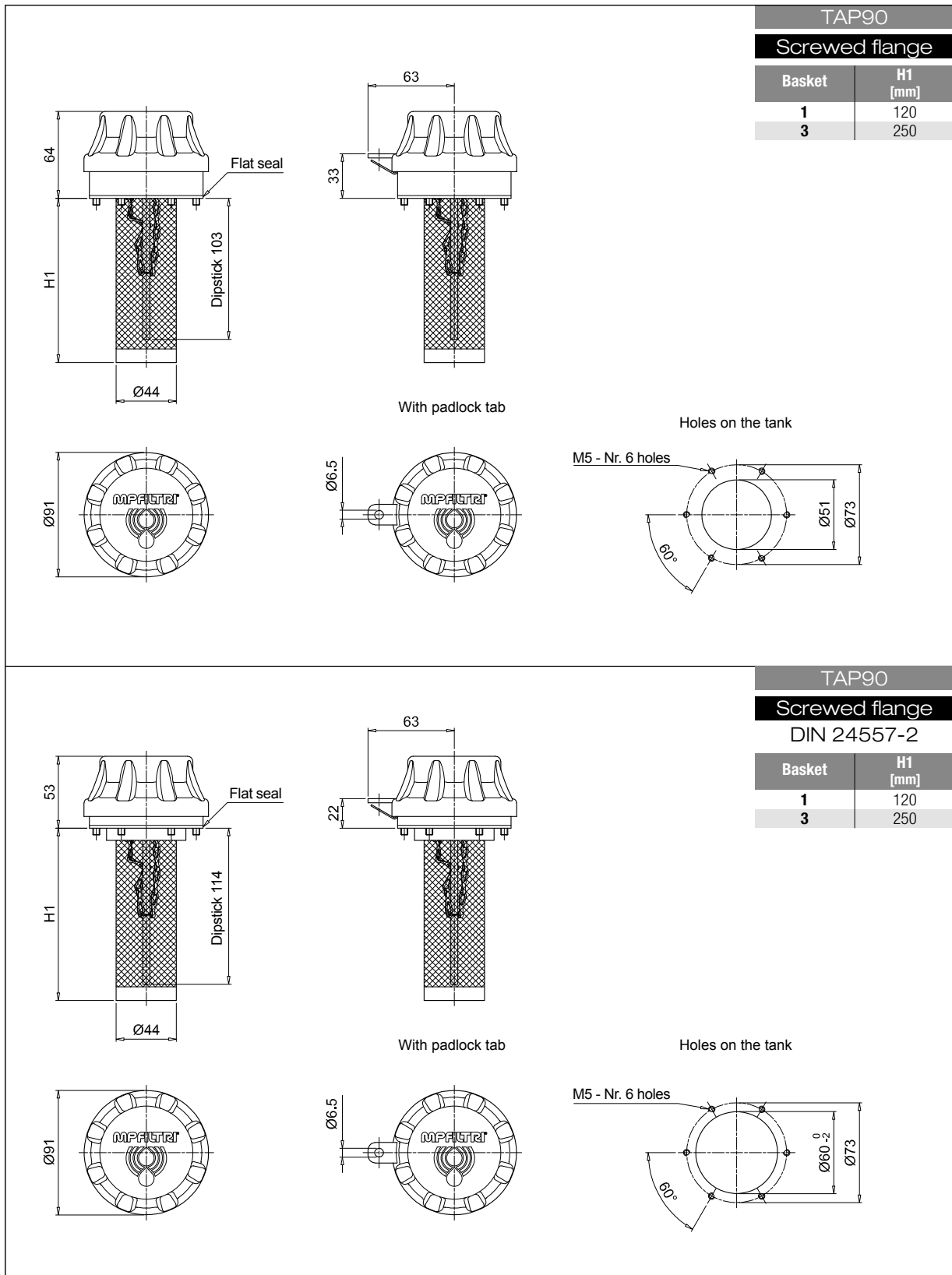
Designation & Ordering code

COMPLETE BREATHER PLUG - TAP90

Series and size	Configuration example 1: TAP90										R	03	A	1	A	1	P01
TAP90	Configuration example 2: TAP90										G	10	A	2	L		P01
Connections to the tank																	
R Screwed flange with M52x2 mount						H Thread G 1 1/2"											
F Screwed flange DIN 24557-2						M Thread 3/4" NPT											
C Weld riser						G Thread M52x2											
Q Thread G 3/4"																	
Filtration rating																	
	R	F	C	Connection			Q	H	M	G							
00 Without filter (blind filler plug)	•	•	•														
03 Resin impregnate paper 3 µm	•	•	•	•	•	•	•	•	•	•							
10 Polyurethane 10 µm	•	•	•	•	•	•	•	•	•	•							
Valve																	
0 Without valve																	
1 0.3 bar pressurization valve																	
2 0.7 bar pressurization valve																	
Version																	
0 Standard						A With dipstick											
L With padlock tab						F With padlock tab and dipstick											
Basket																	
	R	F	C	Connection			Q	H	M	G							
0 Without basket	•	•	•														
1 With basket 120 mm	•	•	•														
3 With basket 250 mm	•	•	•														
Seals																	
A NBR																	
Execution																	
P01 MP Filtri standard																	
Pxx Customized																	

TAP 90

Dimensions



TAP 90

Dimensions

